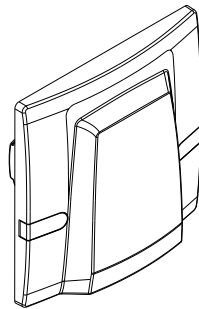


# Mallia™ 45A Cable outlet

Cat. No(s): 2 811 48



2 811 48

## CONTENTS

1. Use.....	1
2. Range.....	1
3. Preparation.....	1
4. Overall dimensions.....	1
5. Connection.....	2
6. Technical characteristics.....	2
7. Cleaning.....	2
8. Conformity - Approvals.....	2

## 1. USE

Device to enable the connection of free-standing electrical appliances from the fixed wiring of the main installation.  
(Supplied with M3.5 screws for BS boxes. Flush mounting or Surface mounting.)

## 2. RANGE

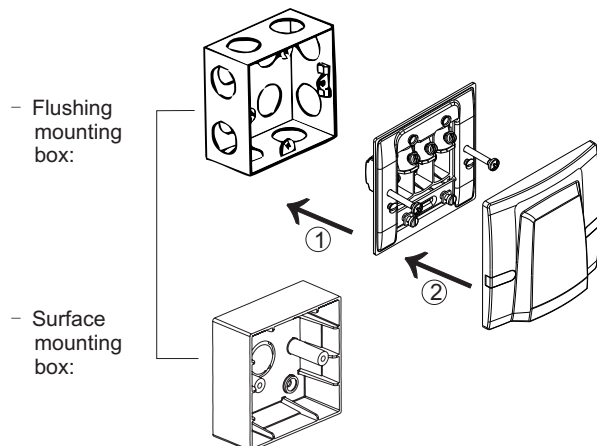
	Designation	Cat. No.	Weight (g)	Characteristics
	45A Cable outlet	2 811 48	135.4	45A 250V~

## Colours

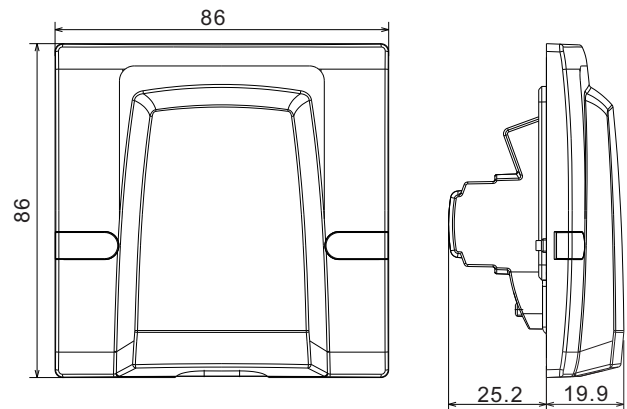
- Front: white/silver/pearl/dark silver/champagne
- Rear: grey
- 2 811 48 - White
- 2 831 48 - Silver
- 2 833 48 - Pearl
- 2 835 48 - Dark Silver
- 2 839 48 - Champagne

## 3. PREPARATION

### 3.1 General preparation



## 4. OVERALL DIMENSIONS



Profile Size: 86×86 mm  
Distance of installation hole: 60.3 mm  
Minimum depth of the box ≥35 mm

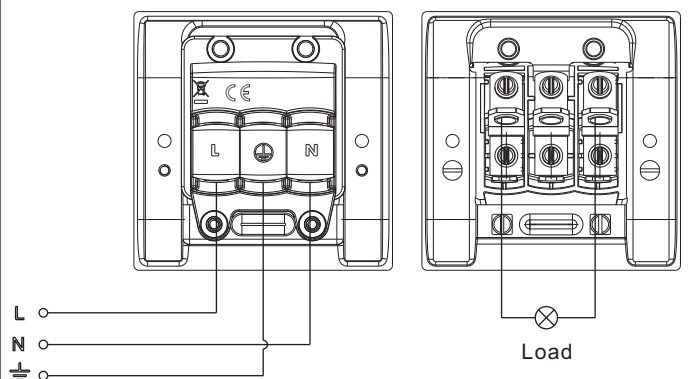
## 5. CONNECTION

### 5.1 Terminals

- Terminal capacity: 7 × 2.5 mm<sup>2</sup>
- 4 × 4 mm<sup>2</sup>
- 2 × 6 mm<sup>2</sup>
- 1 × 10 mm<sup>2</sup>

Recommended screwdriver size: 6 mm flat blade  
Recommended stripping length: 12 mm

### 5.2 Circuit diagrams



## 6. TECHNICAL CHARACTERISTICS

### 6.1 Material characteristics

Plate: Polycarbonate

Frame: A3+Zn plated

Base: PP

Self-extinguishing:

+ 850° C / 30 s for insulating parts holding live parts in place

+ 650° C / 30 s for other parts made of insulating materials

### 6.2 Electrical characteristics

Voltage: 250V~

Current: 45A

### 6.3 Climatic characteristics

Storage temperatures: -10°C to +70°C

Operating temperatures: -5°C to +50°C

### 6.4 Mechanical characteristics

Impact test: IK04

Protection against liquids: IP40

## 7. CLEANING

Surface cleaning with a soft, slightly damp cloth.

Do not use: acetone, tar remover, trichloroethylene

## 8. CONFORMITY - APPROVALS

Conform to BS 5733.